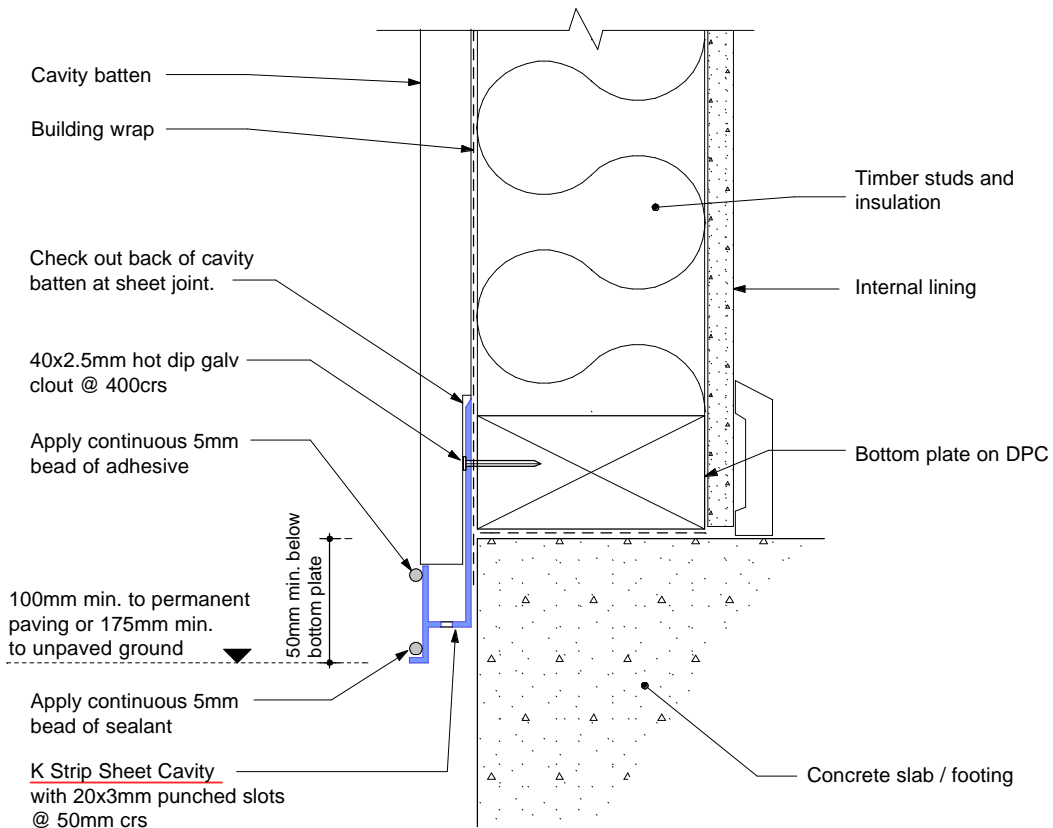
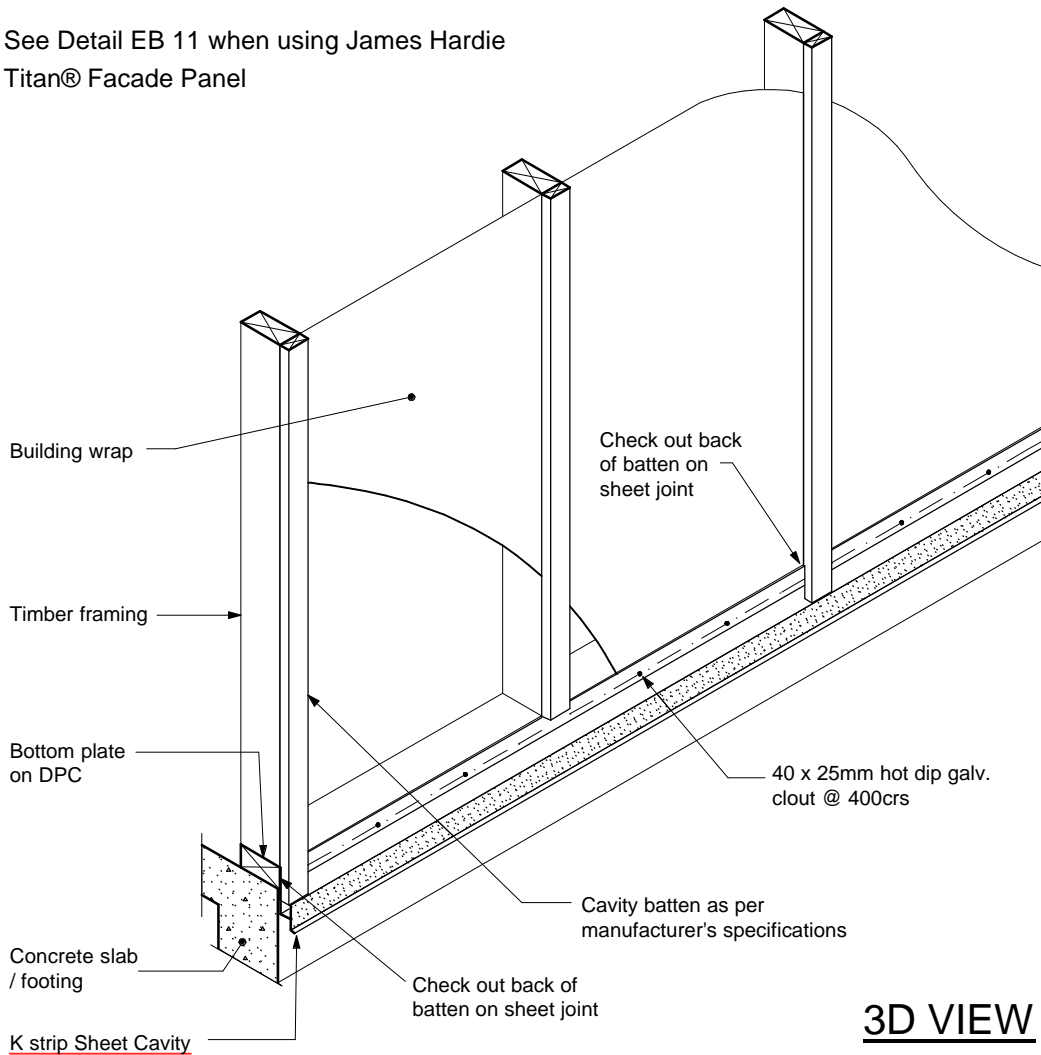
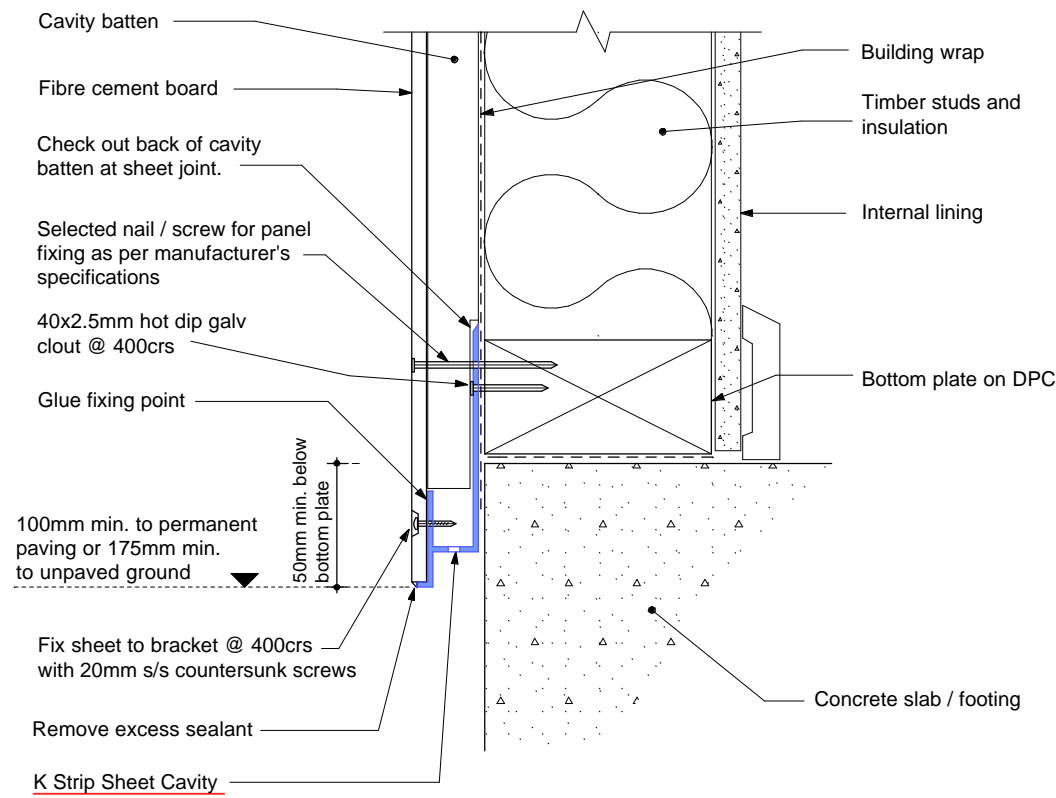
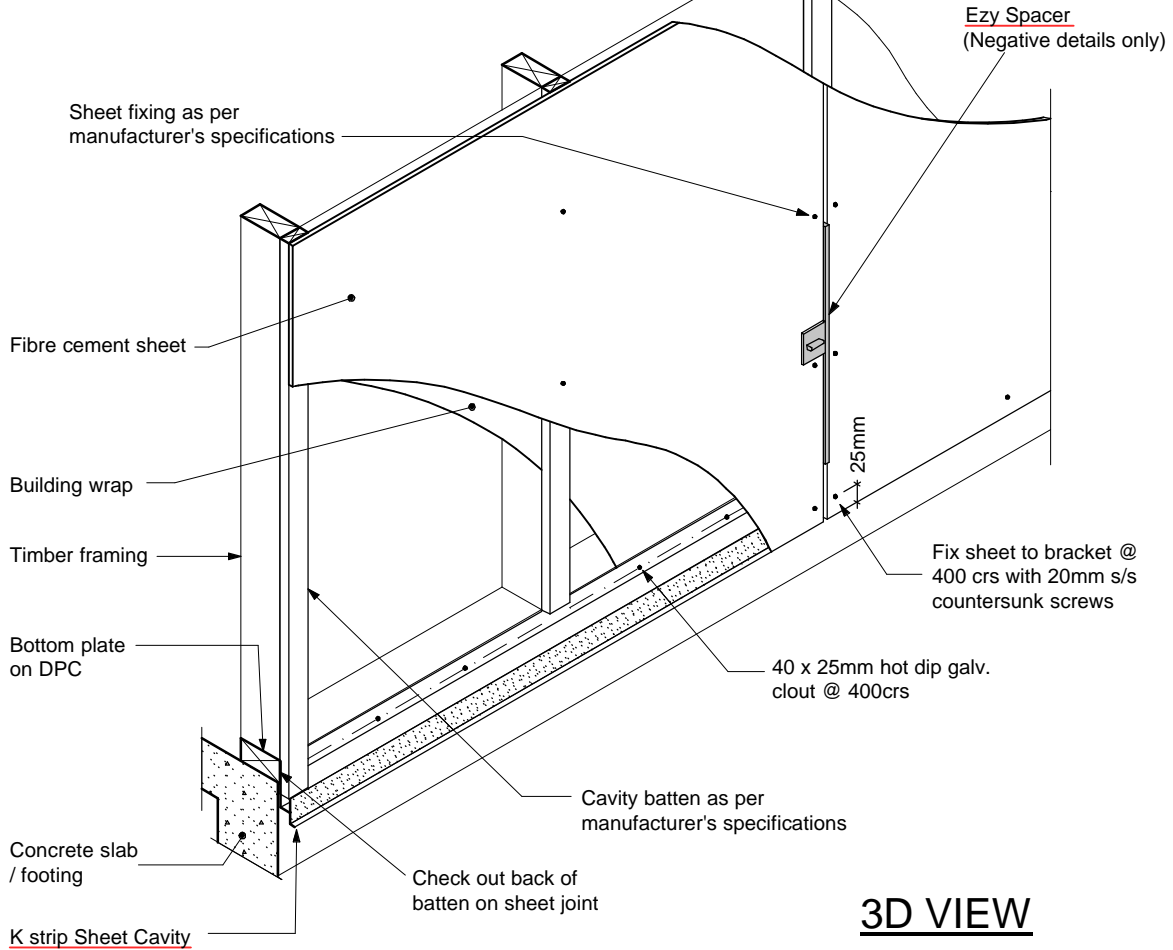


Note: See Detail EB 11 when using James Hardie Titan® Facade Panel



STEP 1 - Fix K-Strip Sheet Cavity + Battens
- Apply glue and sealant

Note: See Detail EB 11 when using James Hardie Titan® Facade Panel



STEP 2 - Remove excess sealant
- Fix sheet material