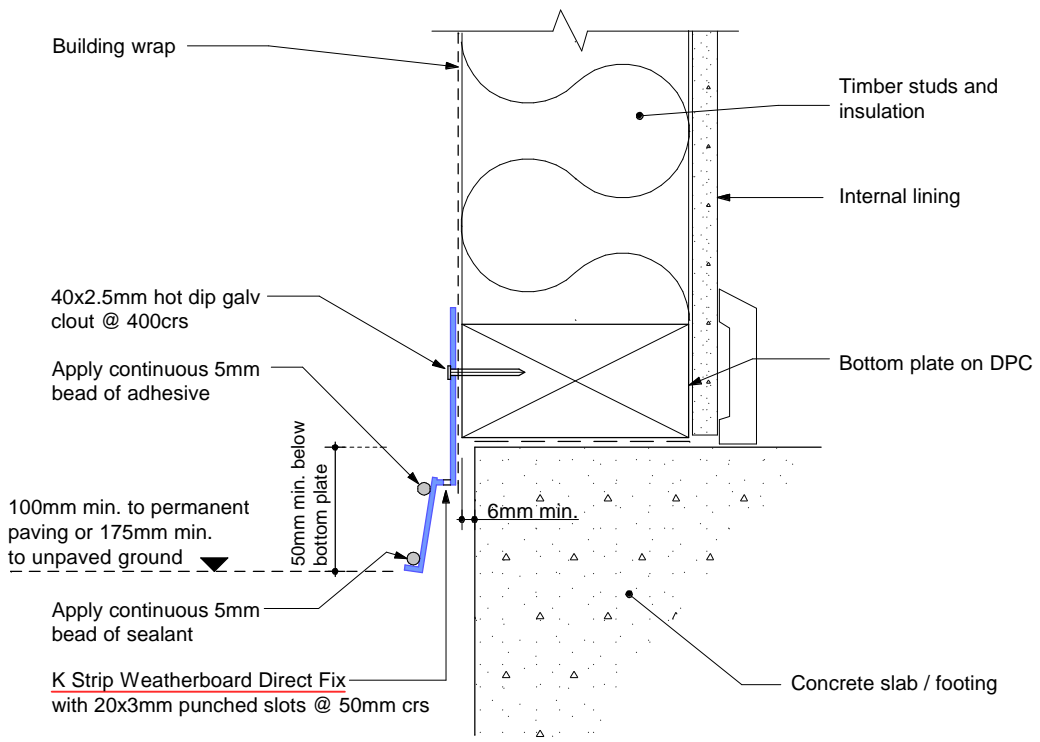
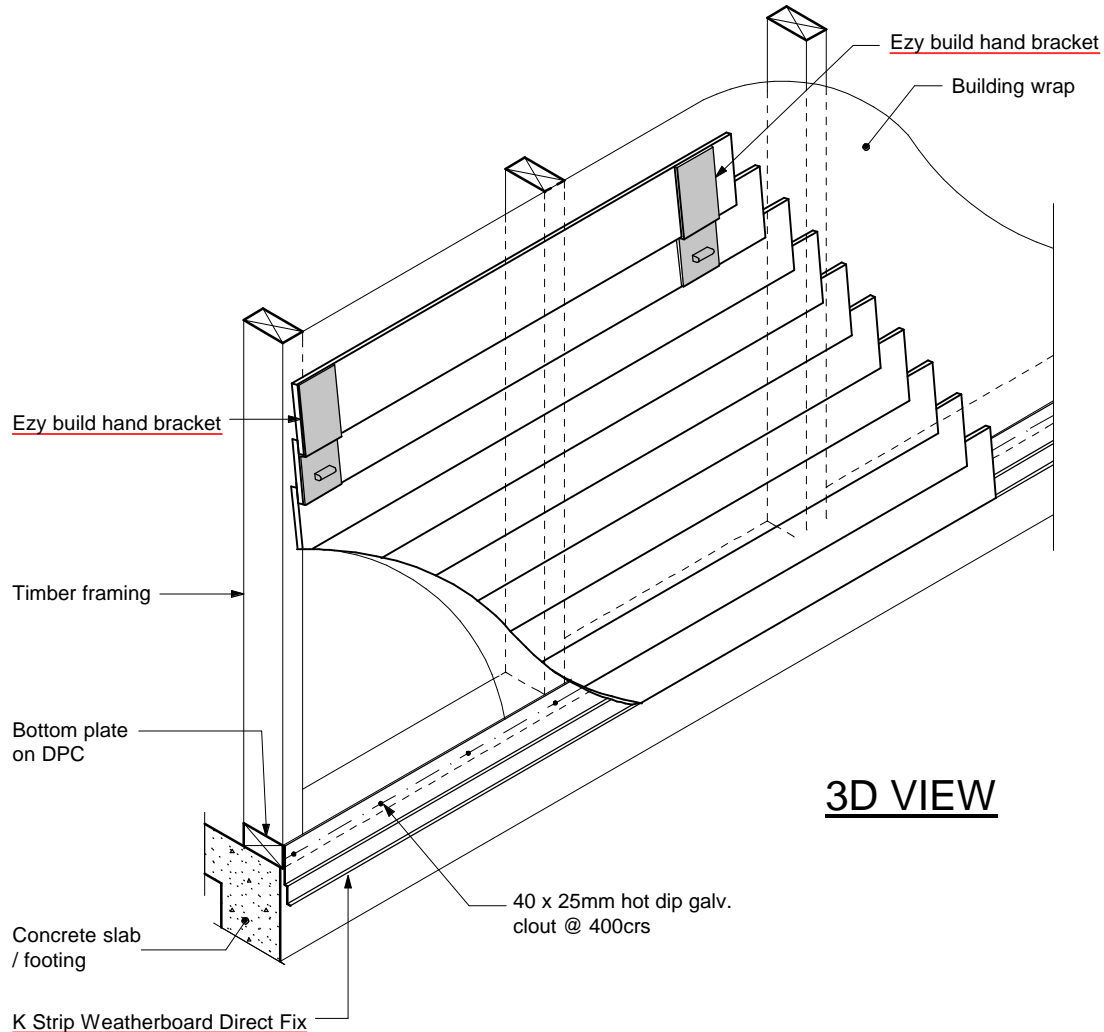
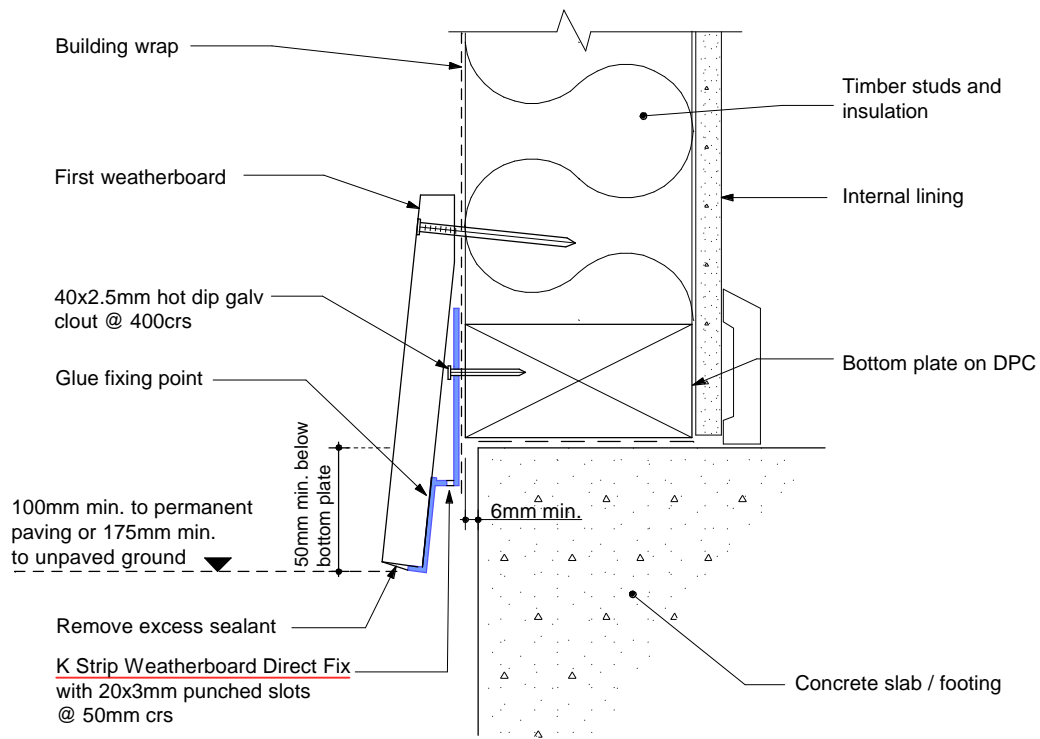


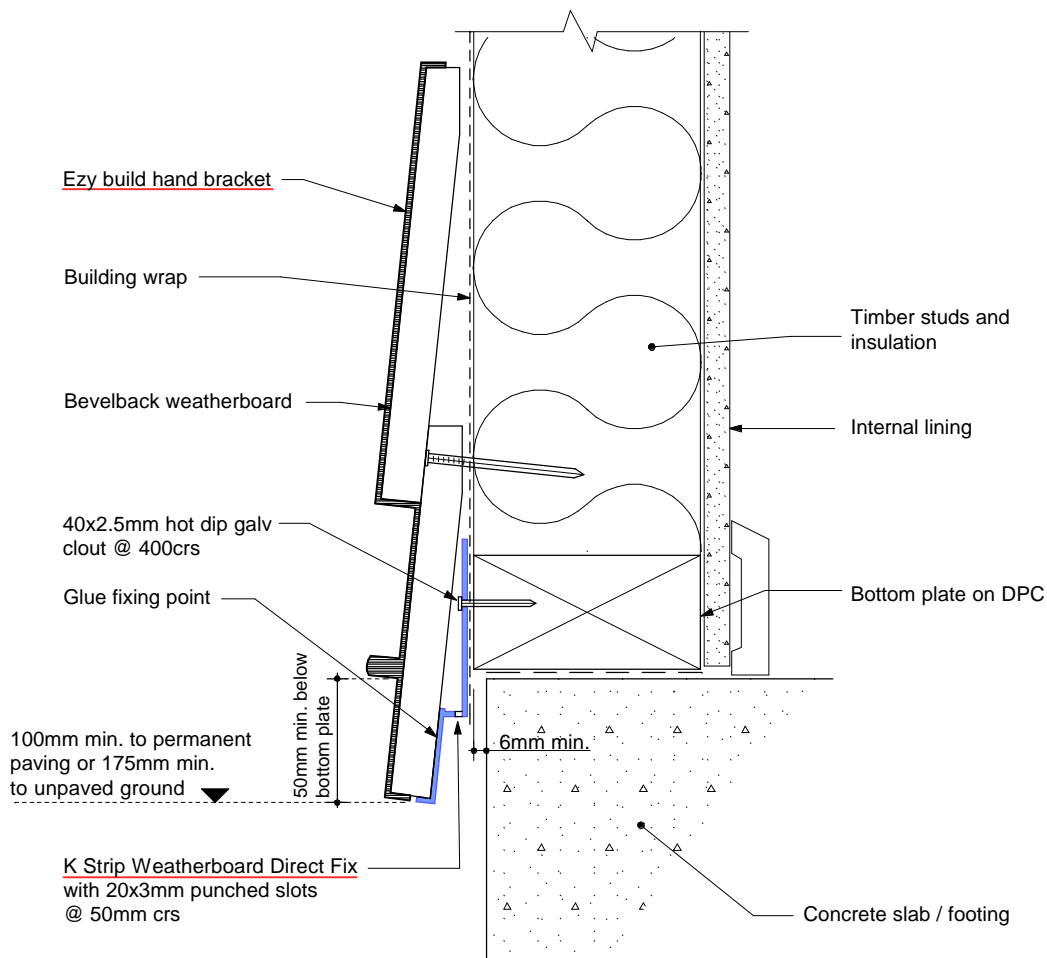
K-STRIP TIMBER OR FIBRE CEMENT WEATHERBOARD DIRECT FIX



**STEP 1 - Fix K-Strip Weatherboard Direct Fix
- Apply glue and sealant**

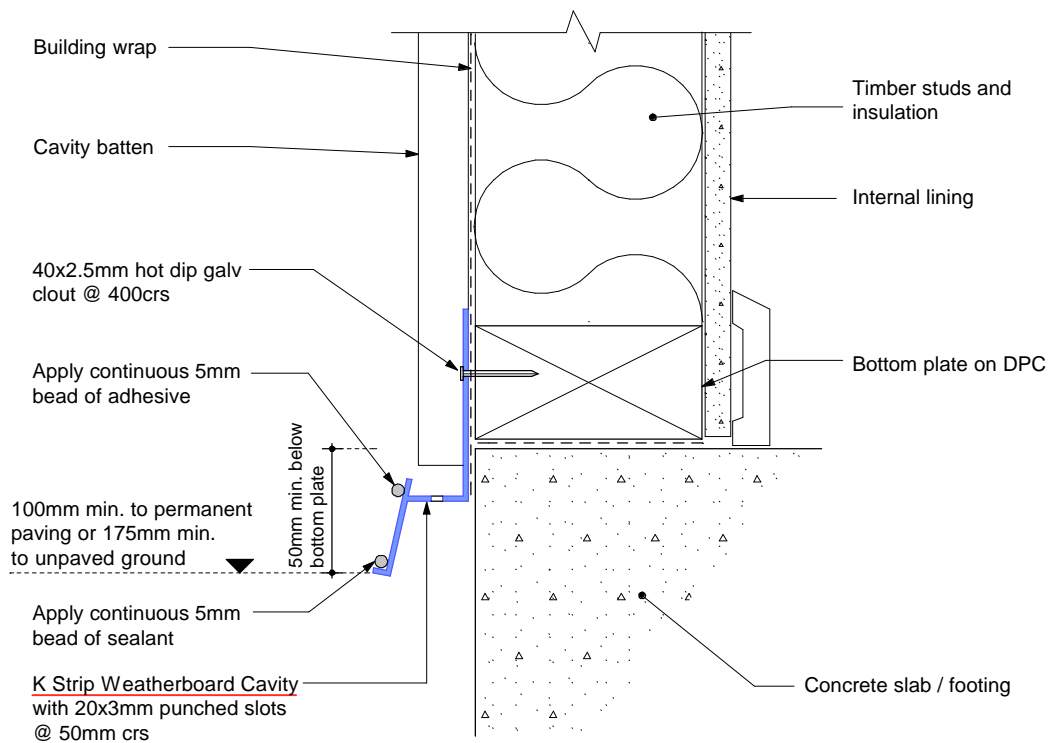
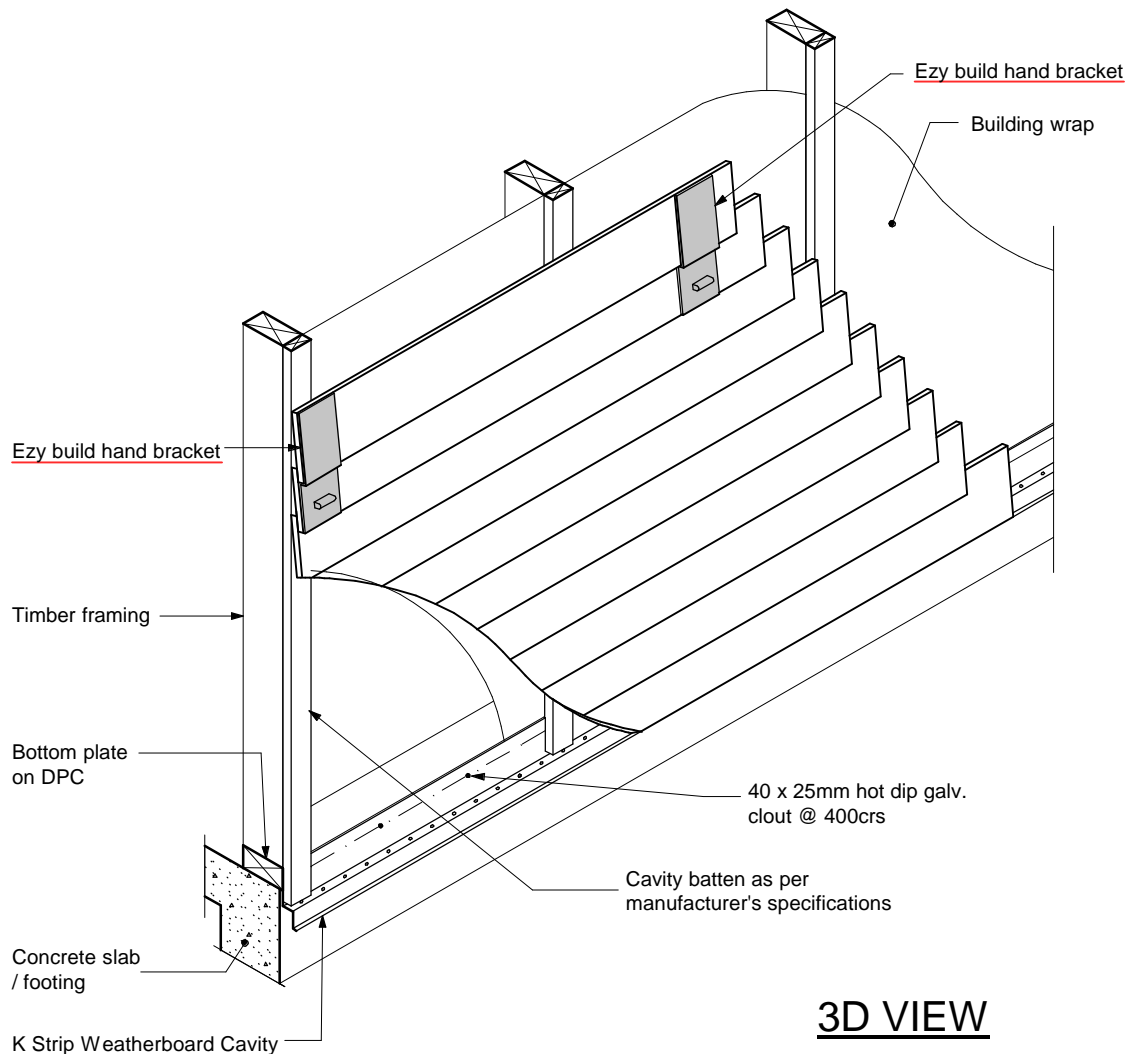


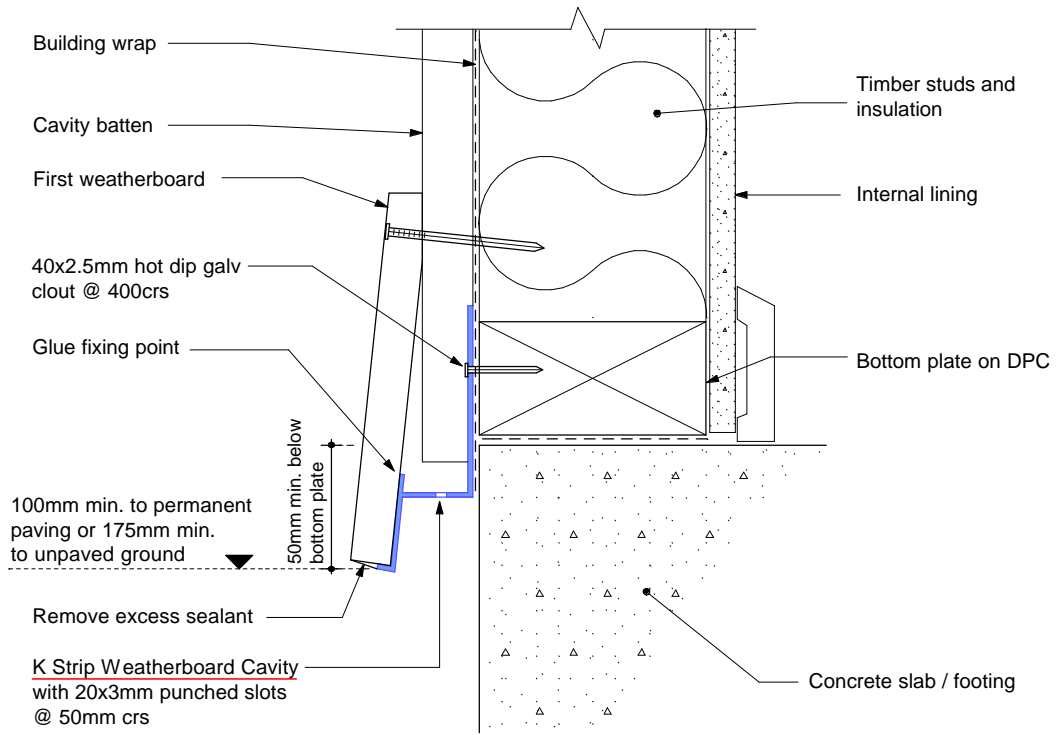
STEP 2 - Fix first weatherboard
- Remove excess sealant



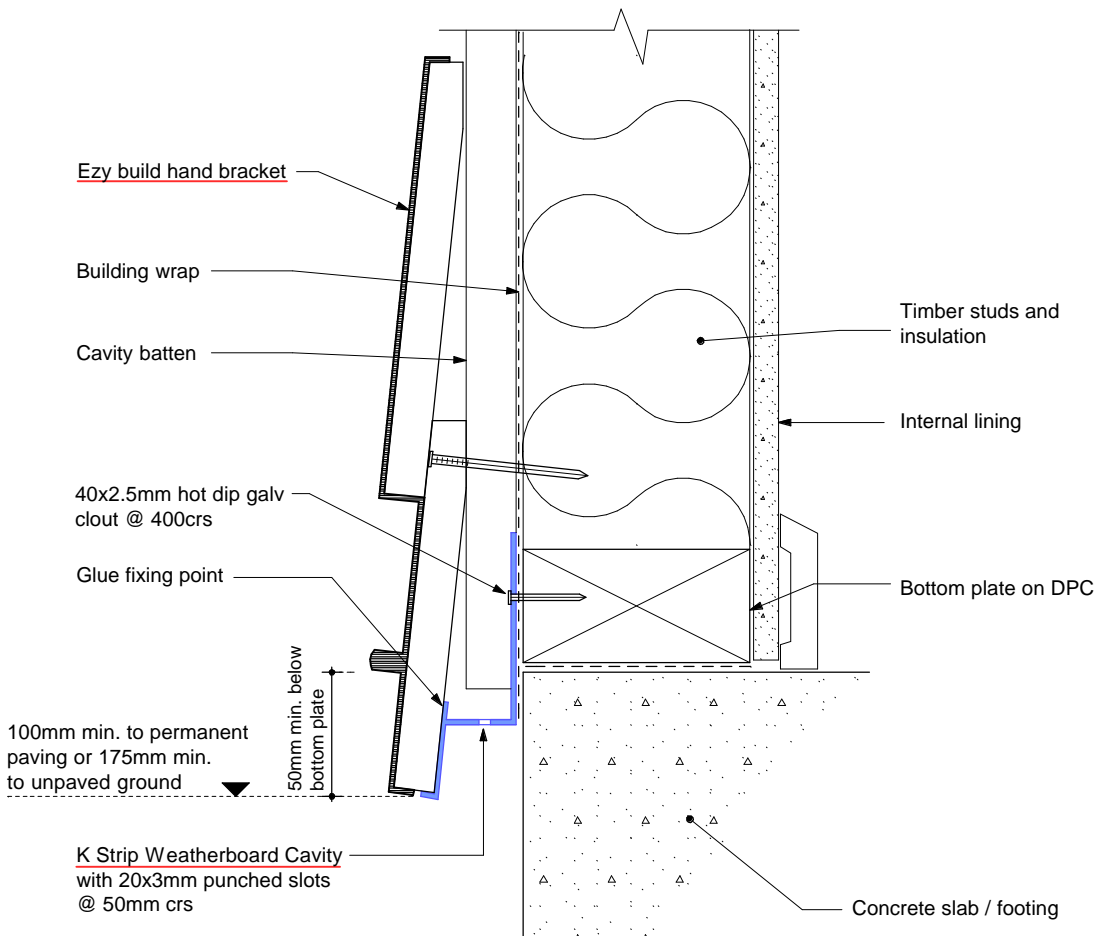
STEP 3 - Use hand bracket to fit remaining weatherboards

K-STRIP TIMBER OR FIBRE CEMENT WEATHERBOARD CAVITY

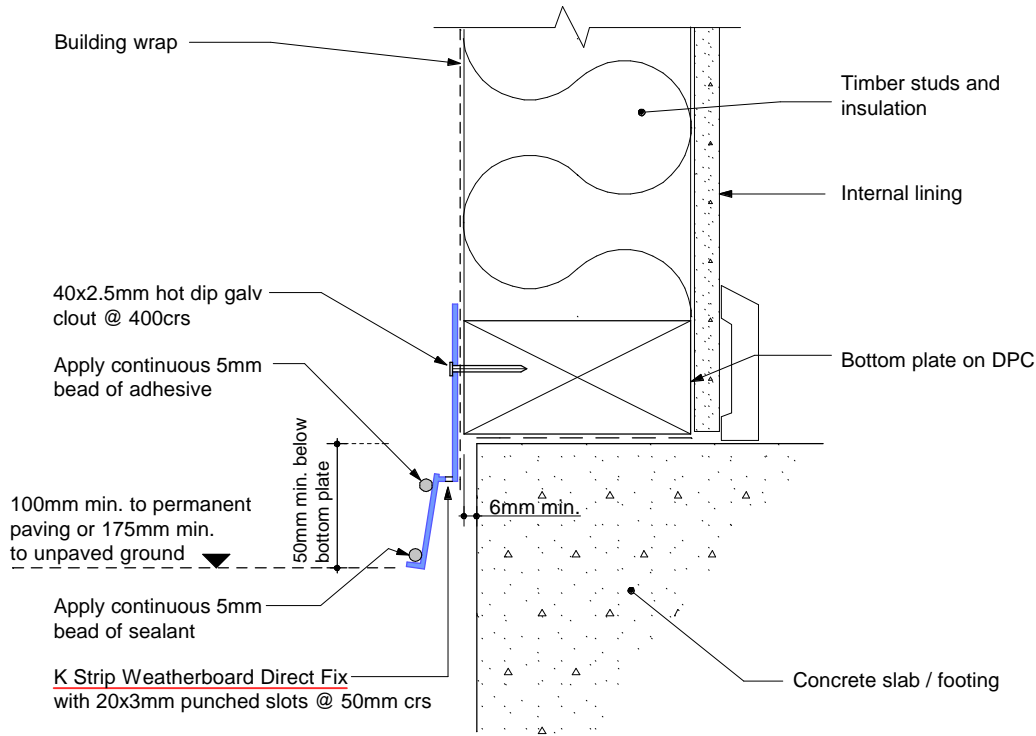




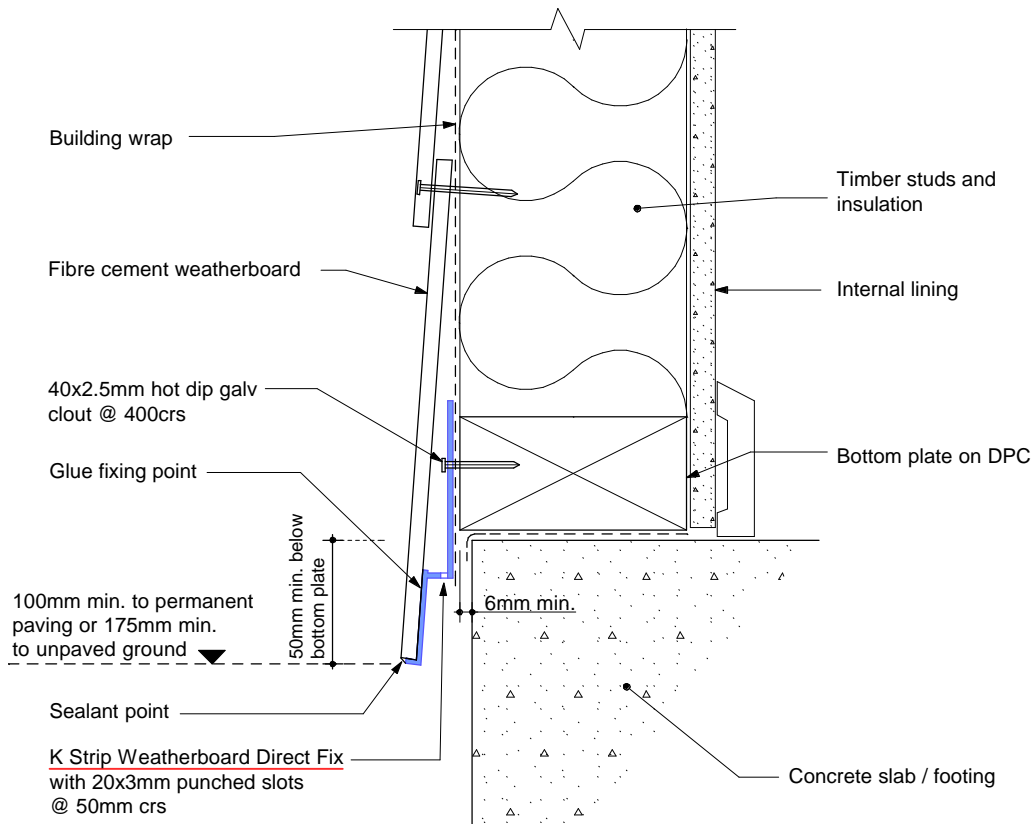
STEP 2 - Fix first weatherboard
 - Remove excess sealant



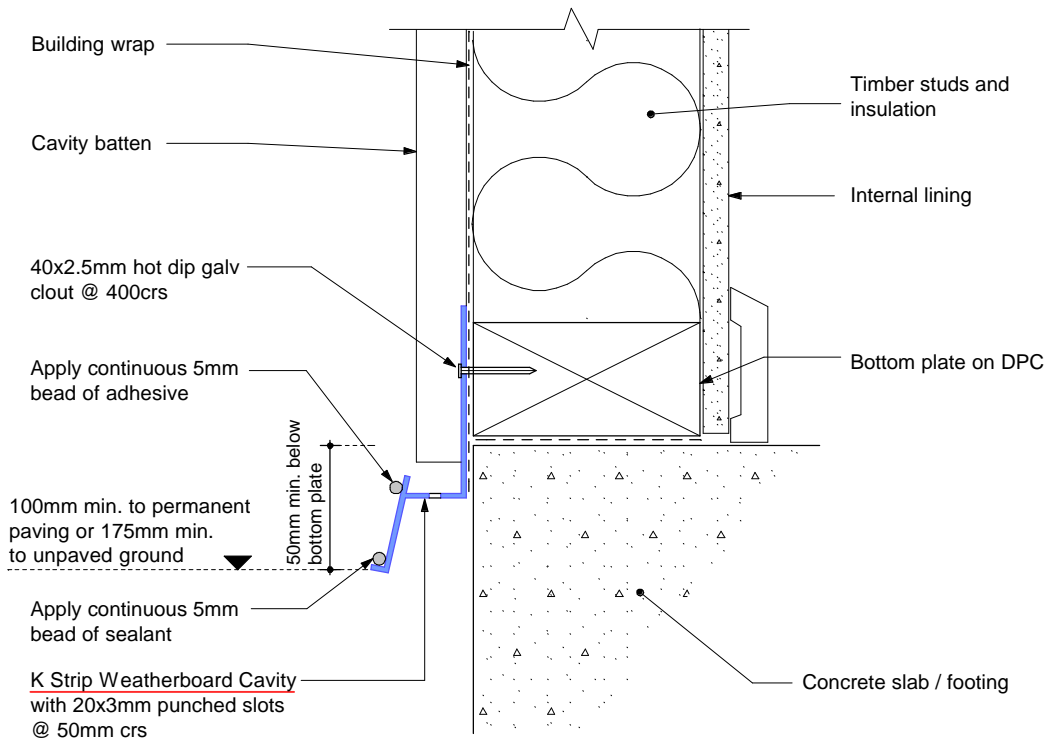
STEP 3 - Use hand bracket to fit remaining weatherboards



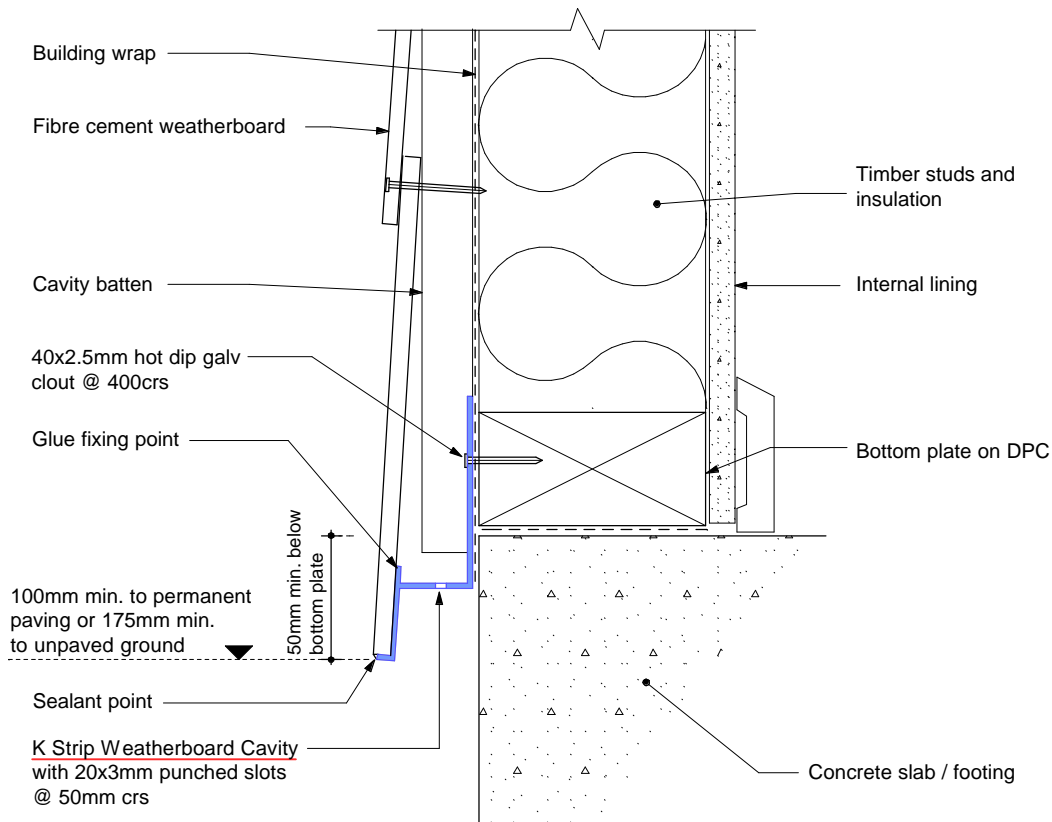
**STEP 1 - Fix K-Strip Weatherboard Direct Fix
- Apply glue and sealant**



**STEP 2 - Fix first weatherboard
- Remove excess sealant**

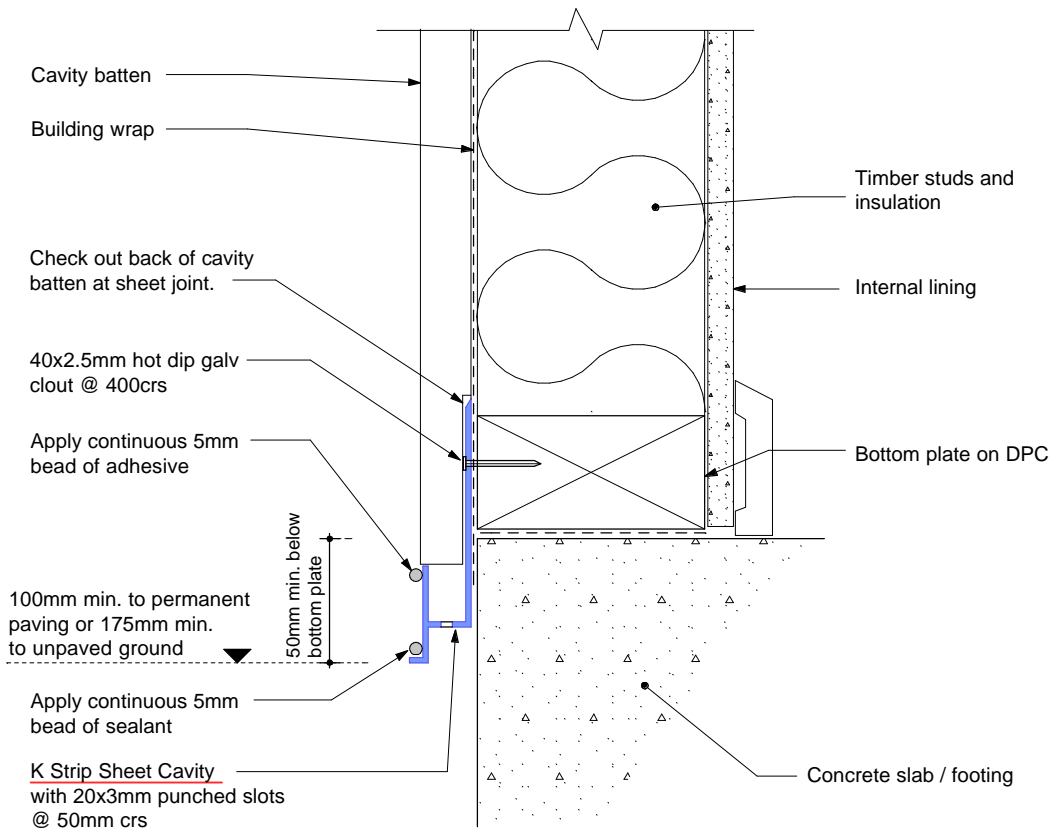
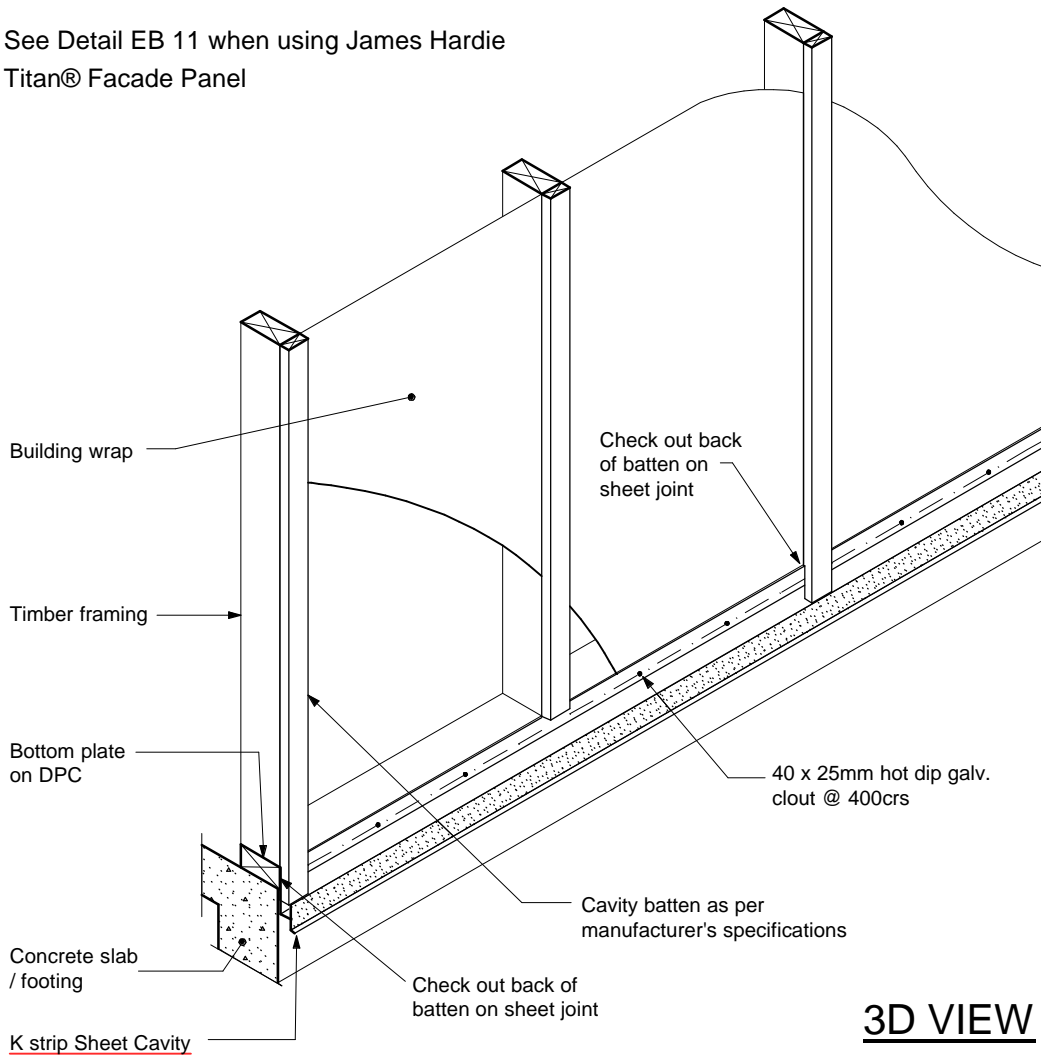


STEP 1 - Fix K-Strip Weatherboard Cavity
- Apply glue and sealant



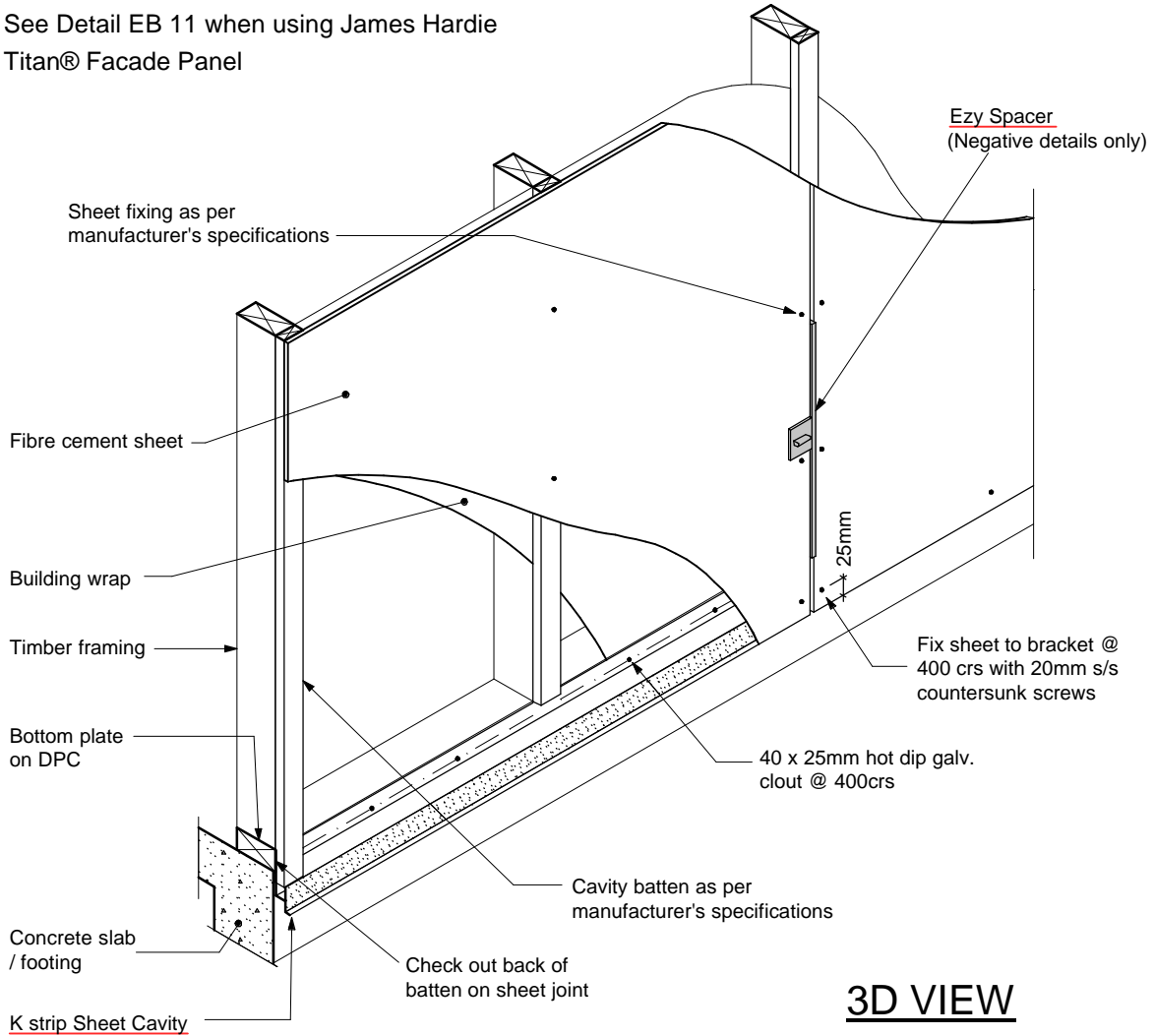
STEP 2 - Fix first weatherboard
- Remove excess sealant

Note: See Detail EB 11 when using James Hardie Titan® Facade Panel

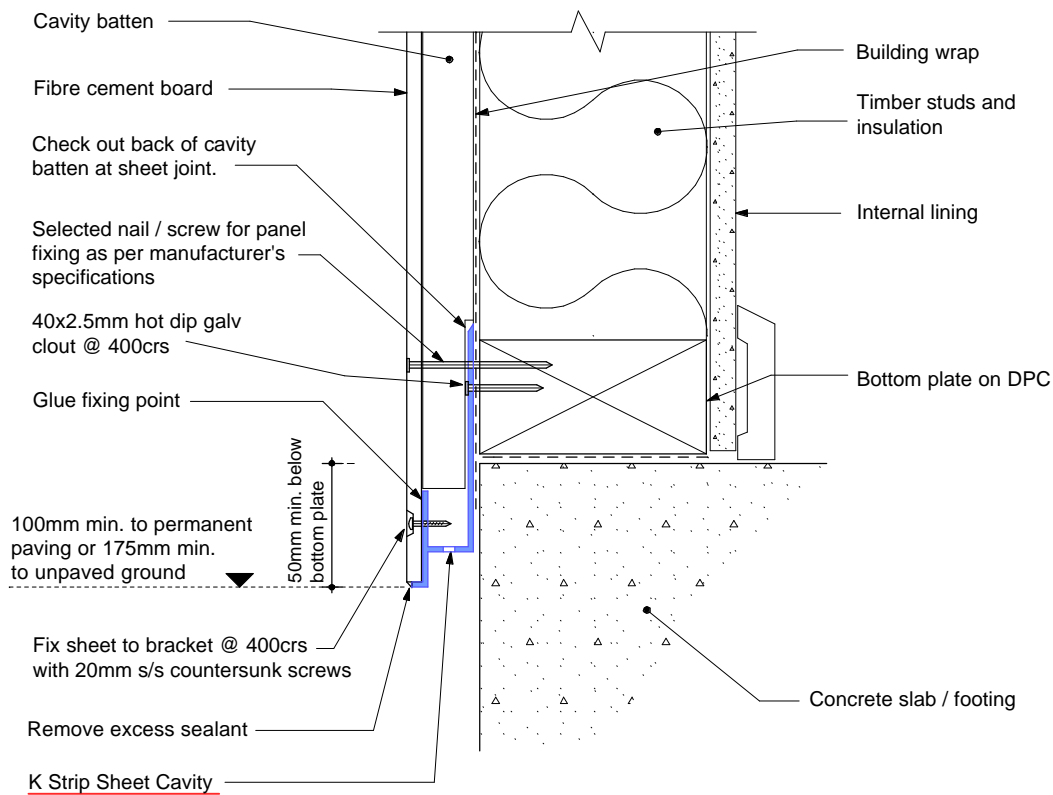


STEP 1 - Fix K-Strip Sheet Cavity + Battens
- Apply glue and sealant

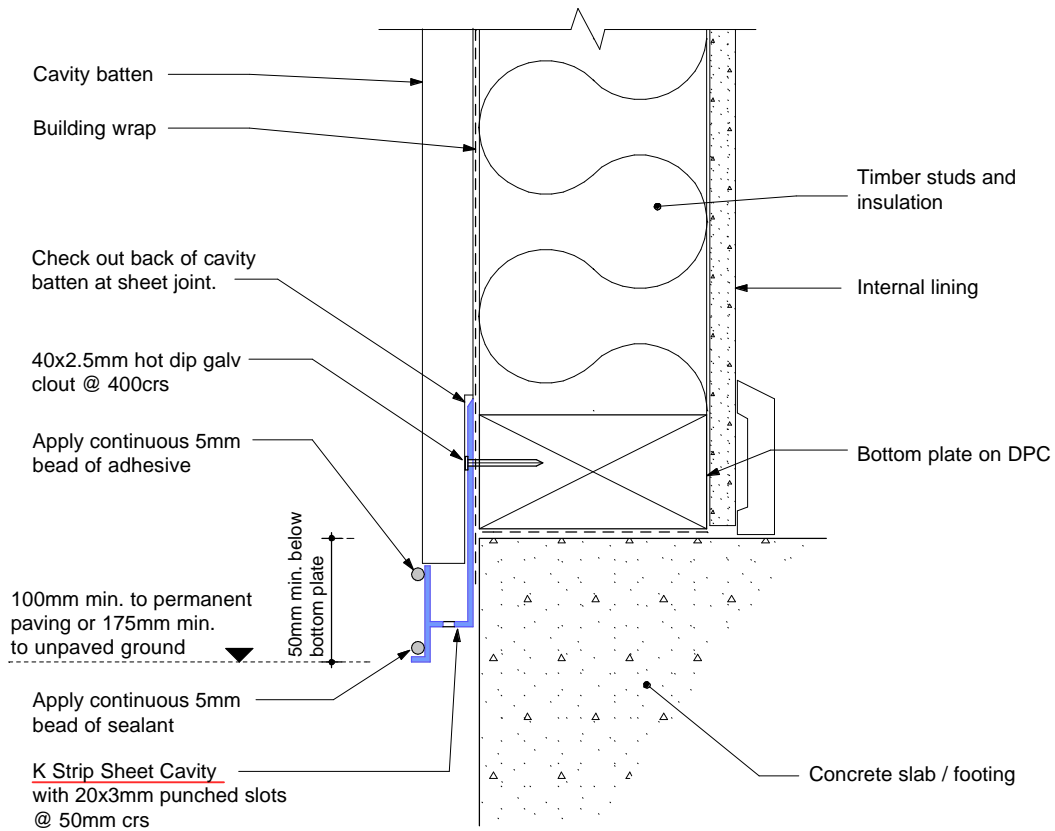
Note: See Detail EB 11 when using James Hardie Titan® Facade Panel



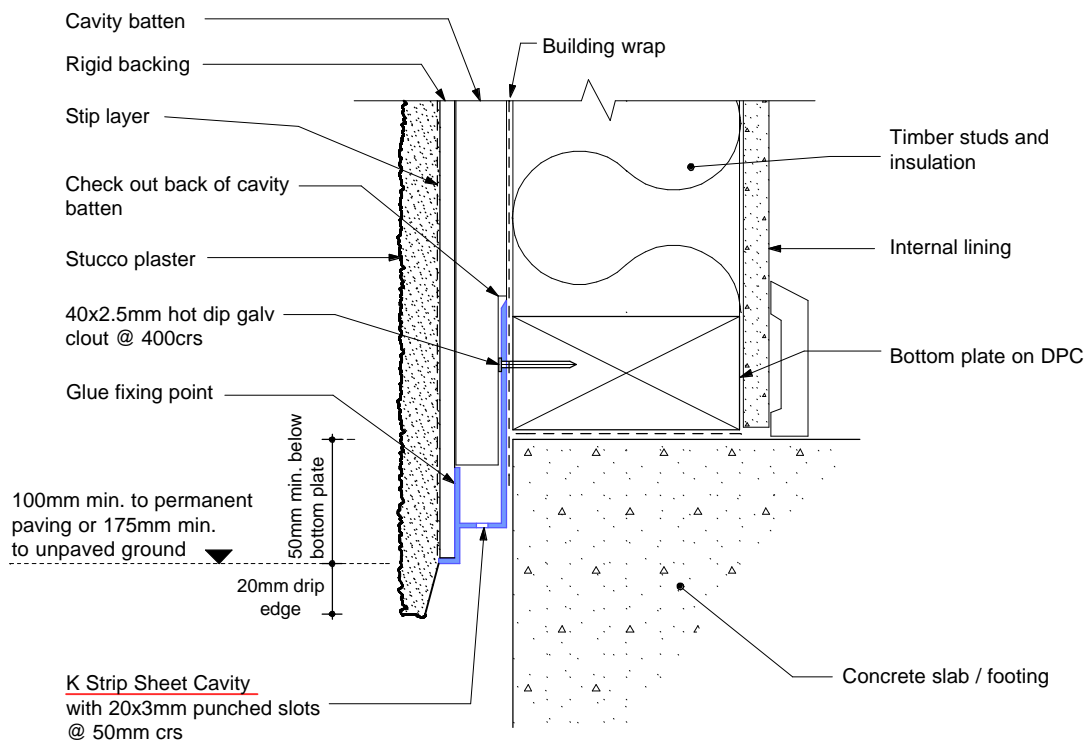
3D VIEW



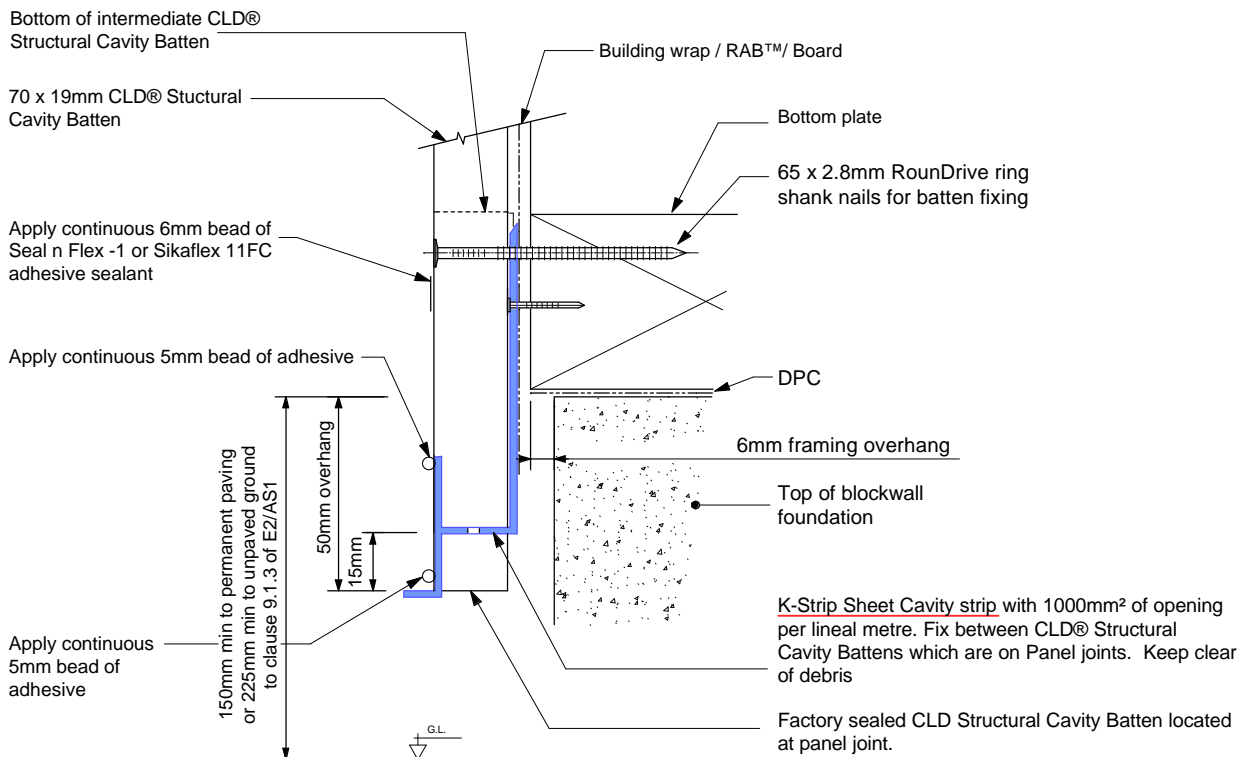
STEP 2 - Remove excess sealant
- Fix sheet material



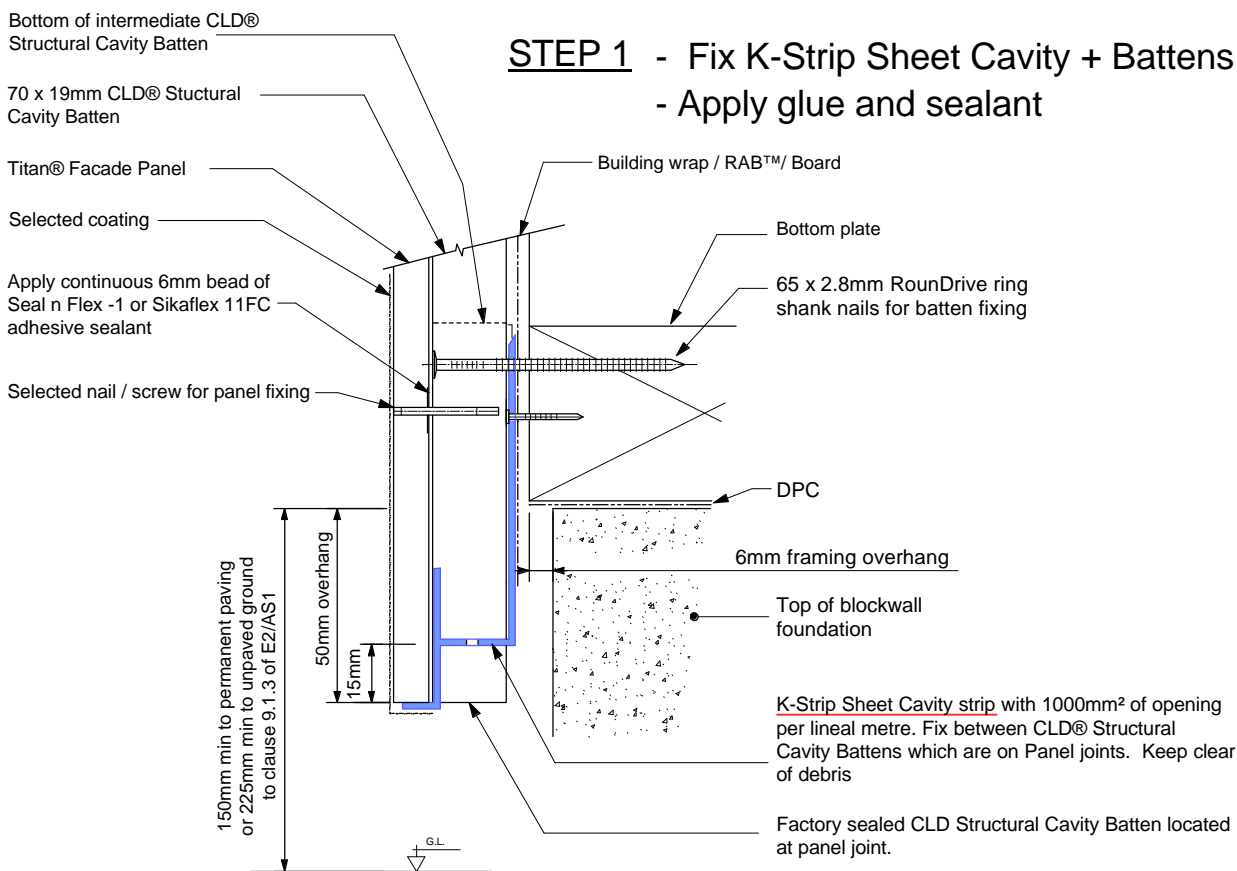
**STEP 1 - Fix K-Strip Sheet Cavity + Battens
- Apply glue and sealant**



**STEP 2 - Fix rigid backing
- Apply Stucco plaster**



**STEP 1 - Fix K-Strip Sheet Cavity + Battens
- Apply glue and sealant**



**STEP 2 - Fit Titan Panel
- Remove excess sealant**

Notes:

- Titan® facade panel must be installed in accordance with the instructions of Titan Facade Panel & CLD Structural Cavity Batten Technical Specifications
- Check panel extends past bottom plate as specified in Architects specification (50mm min).
- K-strip must remain level and secure during construction. Cut and fix K-strip between CLD® Structural Cavity Battens fixed under the panel joints.
- Check vent strip is free from site debris.
- Refer to Table 3 of James Hardie's Technical Specifications for Titan® Facade Panel and CLD Structural Cavity Battens for fixing options.

